

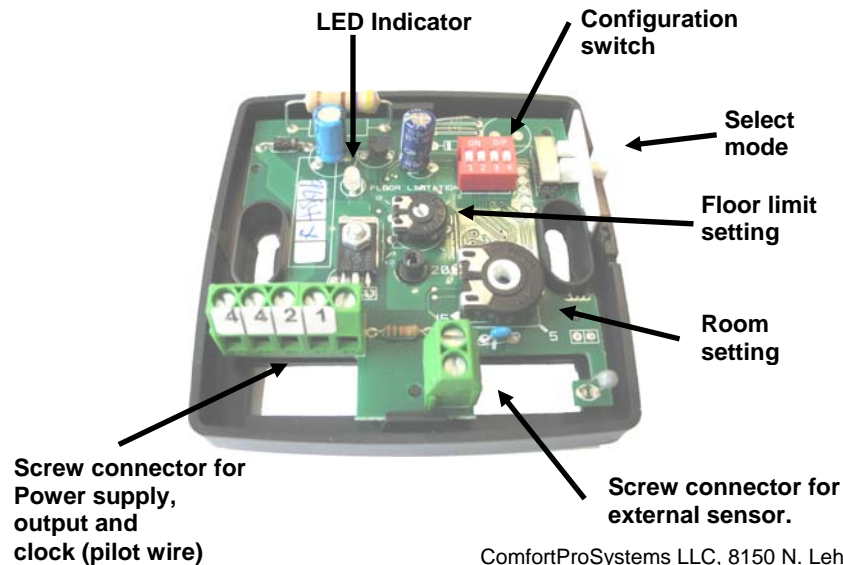
USER GUIDE

Dual Sensing Thermostat 24Vac ANC CPS 450009

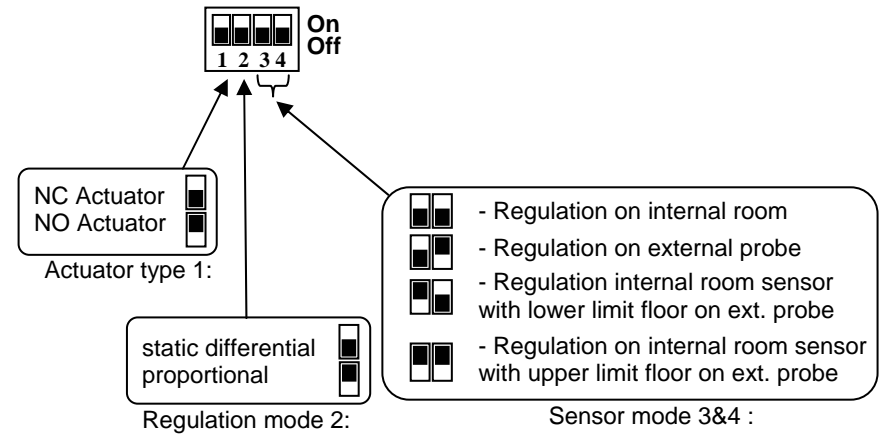


MODES DESCRIPTION

- Electronic thermostat with night reduction mode for water floor heating systems controlled by actuators.
- External pilot wire for night reduction, equipped with a switch to select comfort, reduction or clock mode.
- Possibility to regulate either the floor or room temperature, or combined (in this case, the floor sensor is used as temperature limiter)
- Silent, triac-based output to be connected directly to actuators (see connection diagram on the installation sheet) or to our ProZone system. (In this case please refer to the ProZone Master/Slave datasheet)



CONFIGURATION SWITCH



LED INDICATOR

- Red:** - Heating indication
 - Green:** - reduction mode by clock (pilot wire)
 - Orange:** - Heating during reduction mode by clock (pilot wire)
- Green blinking:**
- 0.5 second cycle => Internal & external sensor failures
 - 1 second cycle => Internal sensor failure
 - 2 second cycle => External sensor failure

TECHNICAL CHARACTERISTICS

| | |
|----------------------------------|---|
| Measured temperature precision | 0.2°F |
| Operating temperature | 32°F – 122°F |
| Setting temperature range | 41°F - 86°F |
| Floor limiting temperature range | 50°F - 104°F |
| Regulation characteristics | Proportional band 10min for 2°K or Static differential 0.5°K |
| Electrical Protection | Class II - IP30 |
| Power Supply | 24 VAC +/- 10% |
| Output | TRIAC output 24 VAC, 15 W max. (4 actuators CPS 22C type, Part # 450022) |
| External Floor sensor | NTC (10K Ohms) 9ft |
| Soft version | V 1.4x |