

Wireless Pump Relay Controllers



46021 / 46024



Pump relay control is now wireless

- Save installation time and wiring costs
- No more running thermostat wires throughout a home
- Put thermostats where they need to go, not where the wires can go
- Wirelessly control the boiler
- Control up to 30 zones in a single boiler system
- Works with wired systems so those hard to reach / broken wire locations can be easily dealt with

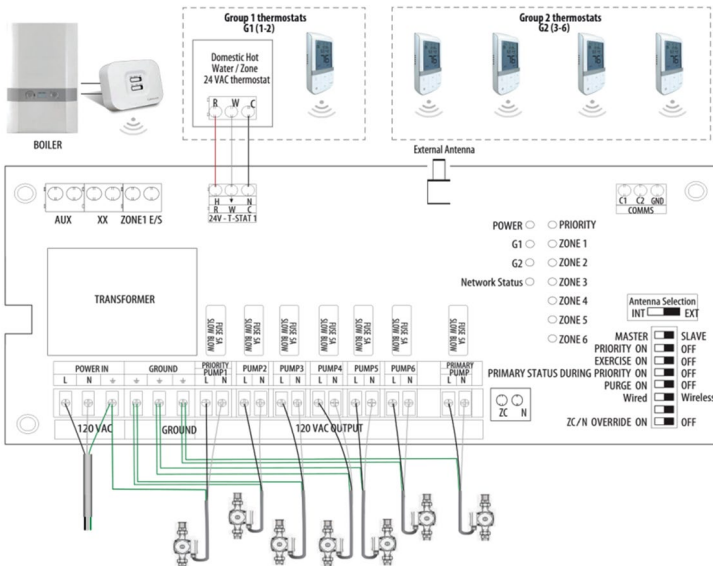


Description and Features

The AquaHeat Wireless Pump Relay Controllers are devices that communicate with wireless thermostats and receivers to control traditional heating pumps and boilers, and provide the following functions and features:

- Primary pump control
- Priority zone support (domestic hot water)
- Purge – Priority pump continues to run for 2 minutes after end of priority call
- Exercise – pumps turn ON for 30 sec. after 72 hours of inactivity
- Thermostat grouping
- ZC/ZR boiler enable support
- Wireless boiler XX support with a Zigbee Receiver (AX10RF)
- XX and AUX normally open contacts support
- Master / Slave function for up to 5 units (1 master / 4 slaves)
- External Antenna for sheltered locations
- LED indicators for zones and Priority status
- 2 models: 46021 / 46024

Example Wiring Diagram (46024)



Specifications	46021	46024	NA
Controls			
Pair Button	√	√	√
Indicators			
Power LED	√	√	√
Network Status LED	√	√	√
Priority LED		√	√
Group 1 LED		√	√
Group 2 LED		√	√
Zone LEDs (1 per zone)	1x	4x	6x
Terminals			
Power In (L, N) 120 VAC 50/60 Hz, max. 20 A.	√	√	√
GND	1x	4x	6x
Primary Pump (L, N) max. 1/6 hp		√	√
Pumps (L, N) max. 1/6 hp	1x	4x	6x
Priority on Pump 1		√	√
AUX contacts		√	√
XX contacts, 120 VAC, 2 A max.	√	√	√
ZONE1 E/S contacts		√	√
Wired Priority Thermostat (R, W, C) 24 VAC, max 0.8A		√	√
Comm (C1, C2, gnd)		√	√
External Antenna	√	√	√
Mechanical			
Keyhole Screw Mounts	3x	4x	4x
Weight		Dimensions	
46021	1.23 lbs, 0.56 kg	3.15" x 6.3" x 4.5"	
46024	3.14 lbs, 1.43 kg	80 x 160 x 114 mm	
		3.15" x 11" x 9.25"	
		80 x 280 x 235 mm	
Power			
Supply: 120 VAC, 60 Hz			
Fuse: 5A slow blow, 5x15 mm (2AG)			
Radio			
802.15.4 (2.54 GHz), Zigbee HA 1.2 based protocol			
Environmental			
Operating: 32° - 110° F, 0° - 43° C, 20 - 90% RH, non-condensing			
Storage: 32° - 122° F, 0° - 50° C, 20 - 90% RH, non-condensing			
Agency Compliance			
ETL certified to CSA C22-2 No. 24 and UL873			
FCC, Industry Canada			
CE: RoHS, REACH, WEEE			
Warranty: 5 years limited warranty			
Compatible Devices			

Note: Specifications are subject to change without notice

ComfortPro
AquaHeat
Radiant heating and snowmelting products

ComfortPro
AquaSeal
Pex piping and plumbing products

ComfortPro
AquaMelt
Snowmelt Systems

ComfortPro
Terre-Pex
Pre Insulated Pex-A Piping Systems