

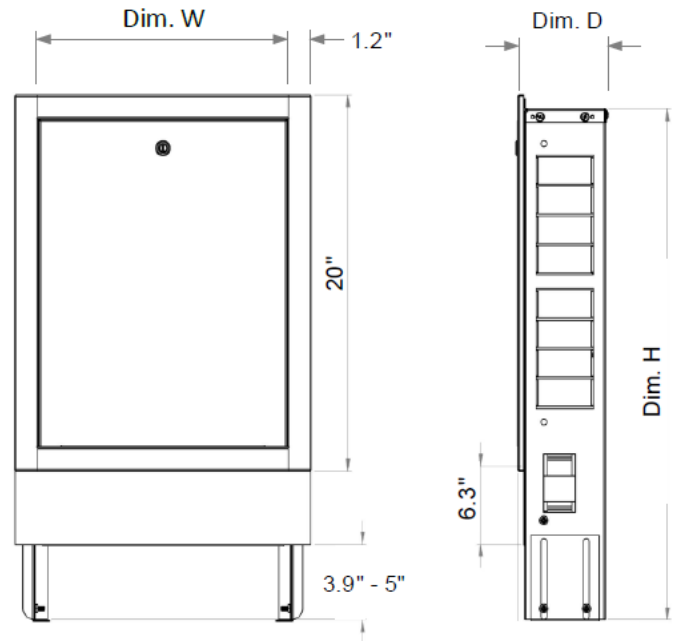
# RECESS MANIFOLD CABINETS SUBMITTAL



Project Name \_\_\_\_\_ Date \_\_\_\_\_  
 Submitted By \_\_\_\_\_ Phone \_\_\_\_\_  
 Project Location \_\_\_\_\_  
 Engineer \_\_\_\_\_ Contractor \_\_\_\_\_  
 Approval \_\_\_\_\_ P.O. Number \_\_\_\_\_

## Recess mounted cabinet manifolds

Recess manifold cabinets allow for a neat and professional installation when the manifold is required to be recessed. The depth and height is adjustable to accommodate different wall constructions. Cabinets have knockouts on the sides and top for easy routing of mains, and are made from hot-dipped 20 Gauge galvanized steel. To save on space and to reduce damage during shipping, cabinets come boxed flat and un-assembled. Also featuring; a durable white finish, door with latch, adjustable manifold mounting brackets, and a removable front section for easy access during installation.



## Manifold Cabinets

Part #	Description	Type	Unit
13421	Manifold Cabinet, Un-assembled, W20.8", H27.2", D4.3"-6.3"	Recess	Each
13431	Manifold Cabinet, Un-assembled, W26.8", H27.2", D4.3"-6.3"	Recess	Each
13451	Manifold Cabinet, Un-assembled, W40.5", H27.2", D4.3"-6.3"	Recess	Each

## Manifold Cabinet Selection Chart

Part #	1" Stainless	1" Stainless	1 1/4" Stainless	1 1/4" Stainless
	No Ball Valve	With Ball Valve	No Ball Valve	With Ball Valve
13421	Up to 7 loops	Up to 6 Loops	Up to 7 Loops	Up to 6 Loops
13431	Up to 11 Loops	Up to 10 Loops	Up to 11 Loops	Up to 10 Loops
13451	UP to 12 Loops	Up to 12 Loops	Up to 12 Loops	Up to 12 Loops

\*Ball valve not included